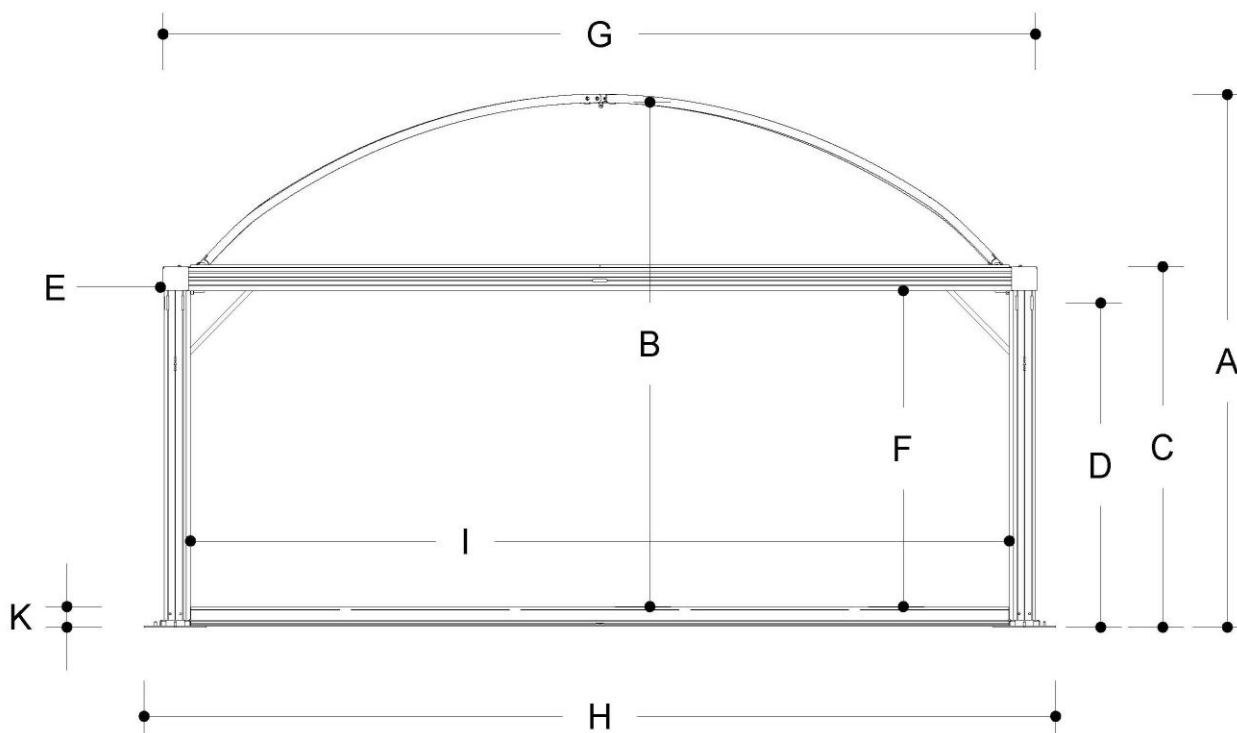




# Chalet Dome

5x5



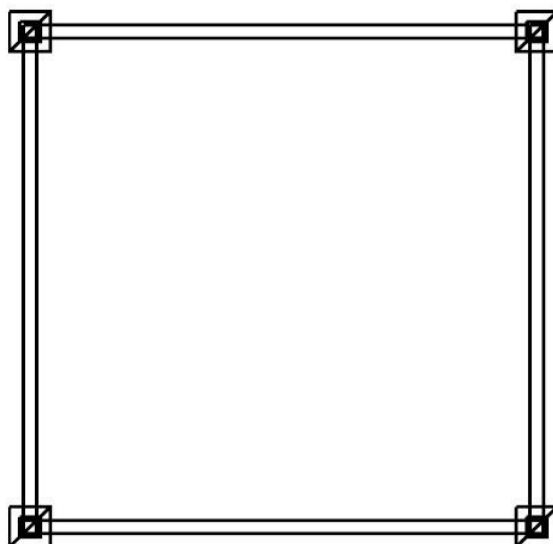
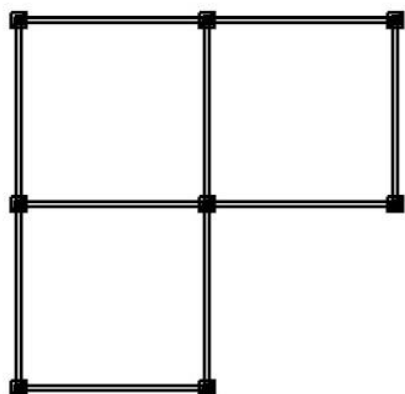
## Technical data

	(mm)			
A	External ridge height	3511	Wind load	0,50 kN/m <sup>2</sup>
B	Internal free ridge height	3419	Snow load	0 KN/m <sup>2</sup>
C	External side height	2532	Bearing capacity standard floor	500kg/m <sup>2</sup>
D	External free height	2364	Column profile	160x160
E	Roof overhang	0	Maximum roof load	max. 100 kg in the apex
F	Internal free side height	2210	Mounting points in structure	Columns and rafters
G	External width of the roof	5280	Standard fire resistance standard roof covers	DIN 4102/B1 M2 B-s2,d0
H	Maximum width ground level	5568		
I	Internal width between columns	4958		
J	Bay distance	0		
K	Floorheight	150		



# Chalet Dome

# 5x5



## Options

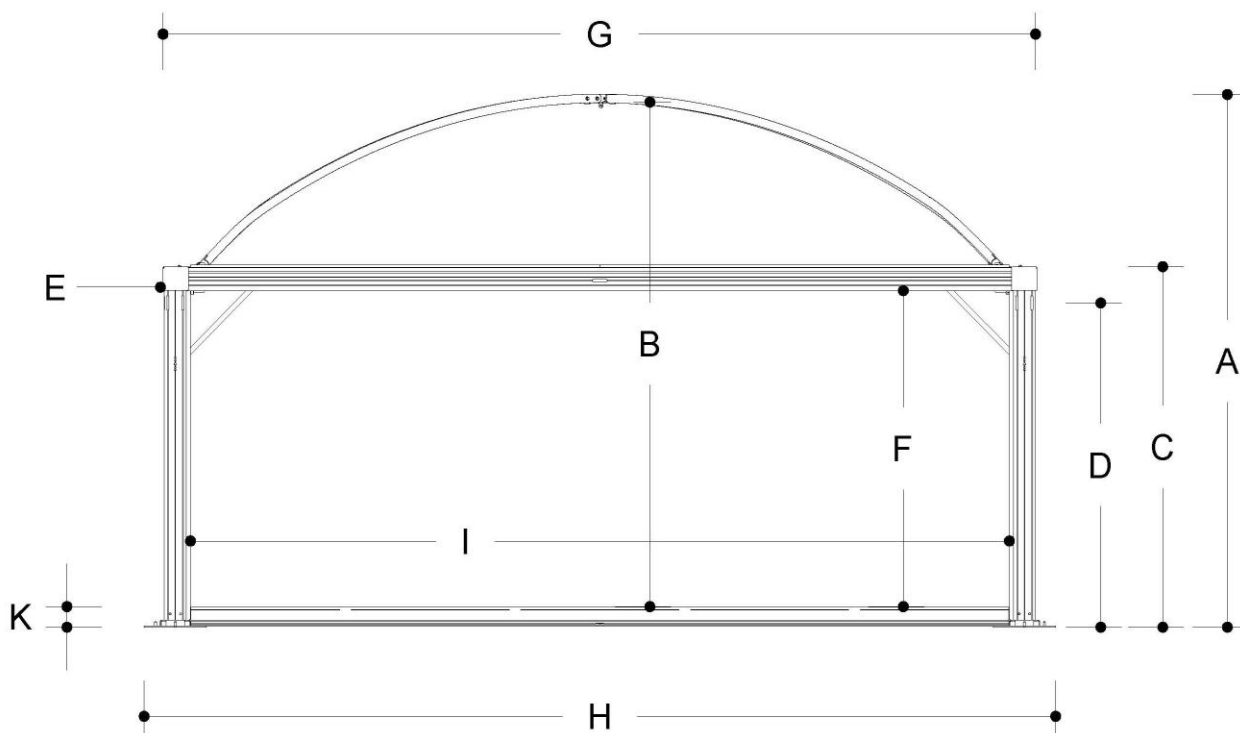
Available roof covers	White opaque roof cover Transparent roof cover
Available floors	Cassette floor Plate floor Antiskid cassette floor
Available doors	Aluminium push bar door 2m (blind) Aluminium push bar door 2m (glass) Emergency door

Available side curtains and side panels	PVC side curtains PVC side curtains with arched windows Vertical PVC side panels Vertical glass side panels
Roof insulation	No
Insulation side panels	No
Connection to permanent buildings	Yes
Connection to other Losberger De Boer structures	Yes



# Chalet Dome

6x6



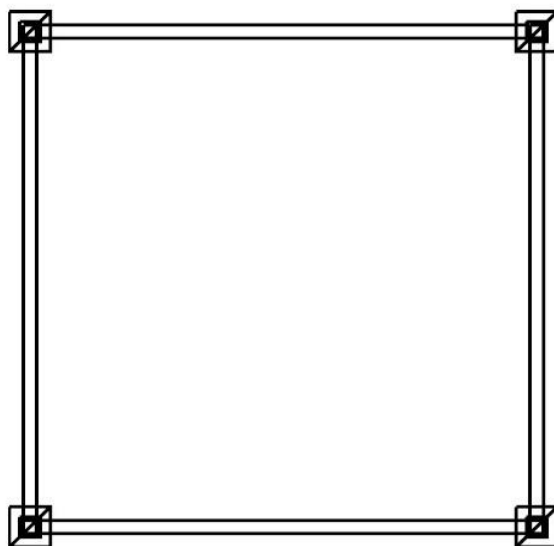
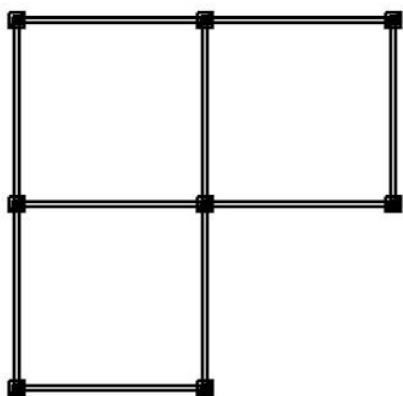
## Technical data

	(mm)			
A	External ridge height	3744	Wind load	0,50 kN/m <sup>2</sup>
B	Internal free ridge height	3649	Snow load	0 KN/m <sup>2</sup>
C	External side height	2532		
D	External free height	2365	Bearing capacity standard floor	500kg/m <sup>2</sup>
E	Roof overhang	0		
F	Internal free side height	2210	Column profile	160x160
G	External width of the roof	6280	Maximum roof load	max. 100 kg in the apex
H	Maximum width ground level	6568		
I	Internal width between columns	5958	Mounting points in structure	Columns and rafters
J	Bay distance	0		
K	Floorheight	145		
			Standard fire resistance standard roof covers	DIN 4102/B1 M2 B-s2,d0



# Chalet Dome

6x6



## Options

Available roof covers	White opaque roof cover Transparent roof cover
Available floors	Cassette floor Plate floor Antiskid cassette floor
Available doors	Aluminium push bar door 2m (blind) Aluminium push bar door 2m (glass) Emergency door

Available side curtains and side panels	PVC side curtains PVC side curtains with arched windows Vertical PVC side panels Vertical glass side panels
Roof insulation	No
Insulation side panels	No
Connection to permanent buildings	Yes
Connection to other Losberger De Boer structures	Yes