



LOSBERGER DE BOER



maxiflex Basic P1

Impressive in size and flexibility

Losberger De Boer maxiflex - Tent configuration with almost limitless possibilities.

The maxiflex tent system, available from 10 - 50 m width, is the most versatile of our large tent systems. It is ideal for companies that frequently assemble tents larger than 30 m, but also hire out tents smaller than 30 m. Only one frame section is needed to create widths from 10 - 50 m width with the maxiflex system. This system also offers an attractive choice of configurations and designs in diverse sizes.

Everything in the system can be combined and interchanged. This ensures efficient storage, avoids handling problems and is highly economical. It goes without saying that the maxiflex tent system includes all options for future tent designs.

Maximise your creativity: System elements of glass or hard-PVC (with side heights of 3.40 and 4.00 m), system cassette flooring, aluminium doors, ramps, decoration and much more.

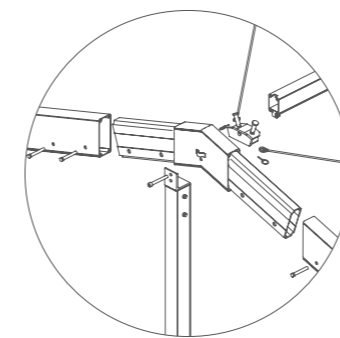
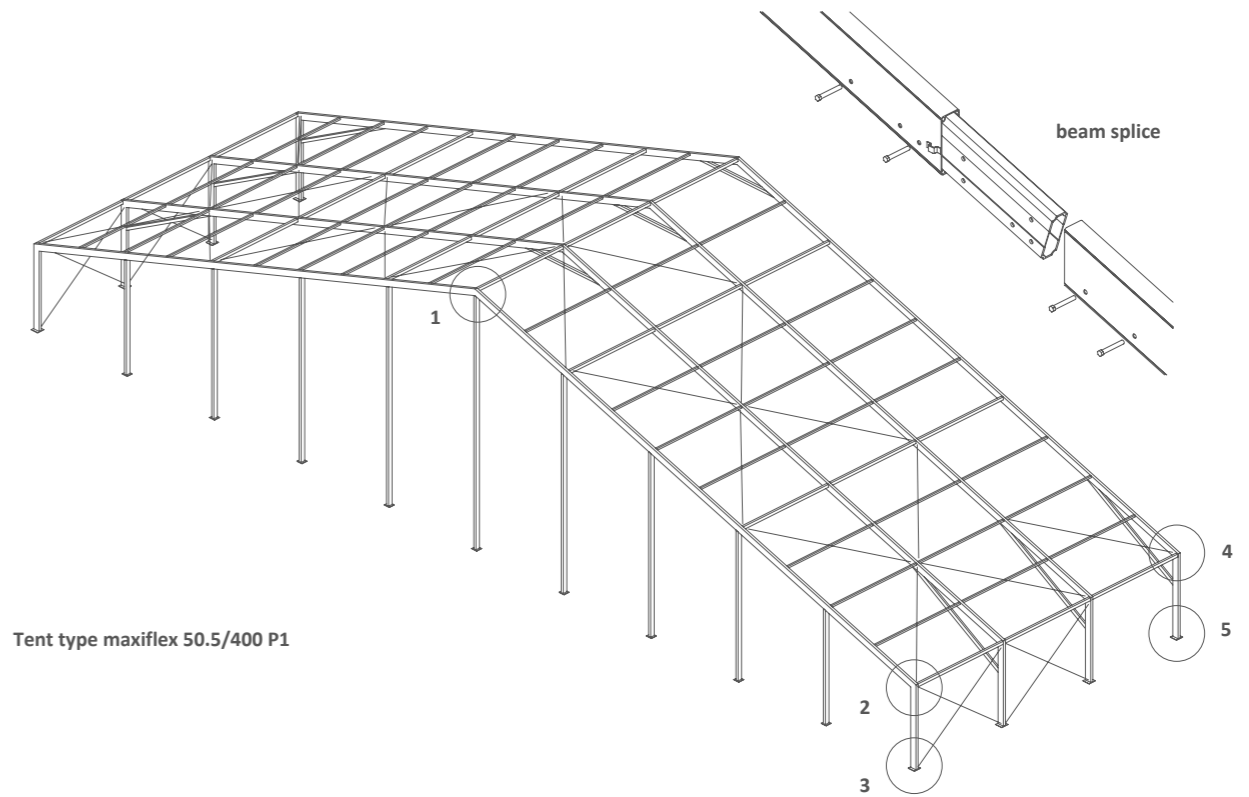


Technology

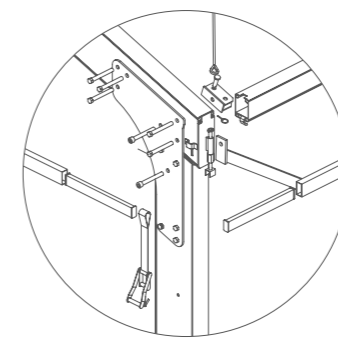
Modular character for diverse combination and expansion. Trouble-free transport, storage and maintenance. Assembly with and without Losberger De Boer system cassette flooring possible. A host of accessories and special equipment. All system components are standard stock parts for fast availability. The interchangeable tent components within the system enable various configurations, different widths and extensions without expensive special solutions.

Frame

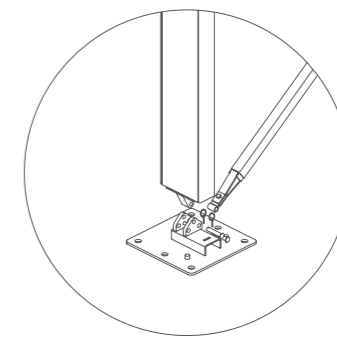
- Trusses of extruded 4-groove aluminium hollow profiles
- Integrated curtain groove in eave purlins and gable wall beams
- Prepared for a subsequent installation of system cassette wall elements of hard-PVC or glass
- Aluminium eave purlins and gable wall beams
- All aluminium components technically anodized
- All wall cables are PVC-coated, preventing blackening stains on contact with the covers
- All steel parts are hot-dip galvanized according to DIN EN ISO 1461
- Frame requires no maintenance
- Easy fitting of covers by means of keder grooves
- No ridge and corner braces up to and including type 30.5/400, resulting in fewer assembly components, improved room utilisation and appearance
- Ridge and eave purlins are identical. Easy fitting and storage
- Middle purlins are weight optimised
- Rigid, weight-optimised ridge head with continuous inner grooves allows easy fitting. Covers and decoration can be fitted continuously from the ridge
- Light, torsion-reinforced stiff eave corner via precisely dimensioned gusset plates, ensuring a secure and sturdy connection between the vertical and spanning members, harmonious appearance
- Truss-distance 5 m (internal dimension 4.880 m)
- Roof slope 18 degrees
- Structural lengths in 5-m-increments
- Structures may be joined to form larger areas (longitudinal side to longitudinal side)
- Exact joining of the various Losberger De Boer large and small tent systems possible



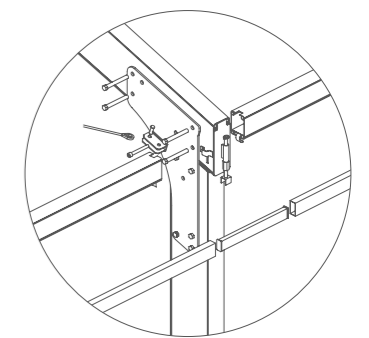
1. ridge head connection (gable end)



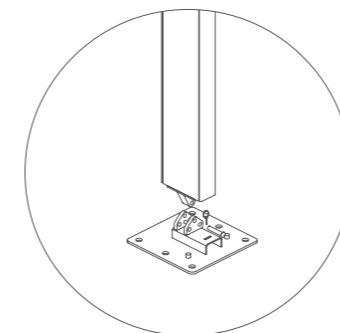
2. eave corner (gable end)



3. baseplate at the bracing connection



4. eave corner (field)



5. baseplate (field)

Covers

- Textile covers made of polyester fabric, coated with PVC on both sides, weight approx. 630 g/m²
- Translucent roof covers for daylight conditions inside the tent
- Opaque covers for black-out conditions
- Spindle-fix roof tensioning system with quick and easy fixing of the roof cover with valance in the eave area. Gives a uniform appearance, tensioning tubes prevent valance from flapping in the wind, offers additional rain protection in the eave area, optimal roof cover seal reduces the escape of heat and cold when using heaters and air conditioning units.
- Flame-retardant according to DIN 4102, fire class B1
- Gable cover with plug fastening or keder rail division (up to 25 m) for optimal cover tensioning and wind protection
- All curtains in same width
- Curtains with PVC-gliders for easy fitting in curtain groove
- Curtains with hems for accommodating weighted tubes (on request)
- Side and gable curtains with standard plug fastening: Easy to open and close
- Standard fabric colour white; other colours available on request
- Side curtains with windows available in several attractive designs
- Glass or hard-PVC system wall elements, side heights 3.40 m and 4.00 m System



System wall elements of glass



Curtains prepared with PVC-gliders for pulling curtains into curtain groove



System cassette wall elements of hard-PVC



System cassette wall elements of hard-PVC with connecting panel for air conditioning and heating systems



Spindle-fix roof tensioning



Wall holding profile with standard locker for cassette wall system



Wall fixing rail for glass wall elements



Accessories and special equipment

- Light impermeable roof for longer service life and reduction of temperature in the tent, weight about 800 g/m²
- Larger widths can be constructed from any standard frame beam by using an appropriate additional beam. Diverse beam combinations can be used for one and the same hall
- Textile beam gutter (internal fitting) or beam flap (external fitting) prevents the ingress of rain water
- Gable covers with ventilations
- Transparent PVC-covers
- Covers with individual texts or motifs
- Side and gable curtains with zips or lace & grommet closure available on request
- Wall locking rails for fixing glass system wall elements for an elegant and attractive interior
- Room division by using interior gable possible (in 5-m-increments)
- Losberger De Boer system cassette flooring with integrated cable channel for supply cables
- Aluminium doors, double-wing and one-wing
- Canopy above entrance and exit doors
- Ramps at entrance and exit doors
- Gutters
- Weight anchoring (tent anchoring without steel anchors using concrete blocks)
- Lining decoration for roof and walls
- Packing bags
- Stackable transport and storage racks for aluminium doors and glass or hard-PVC system wall elements
- Assembly tools



Weight anchoring by means of concrete blocks



Aluminium double-wing door with extended ramp



Aluminium double-wing door with canopy and extended ramp



Cord-guided gable vent with folding cover (patented design), cable cover with plug fastening



System cassette flooring for large tents



System cassette flooring with integrated cable channel and variable cable exit positioning



Lining decoration for roof



Textile beam gutter



Walkway connection, multiflex Arcum P9



transparent roof cover with maximum clear cut-outs



Transport and storage rack for 6 aluminium doors



Transport and storage rack for 3 aluminium doors

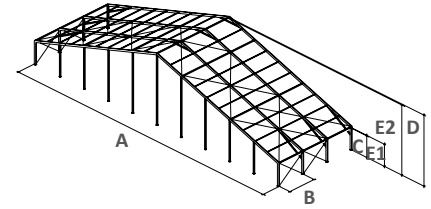


Transport and storage rack for 20 system wall elements of glass



Transport and storage rack for 80 system wall elements of hard-PVC

Dimensions



Type	A	C	D	E1		E2	Longest component (m)	Truss profile (mm)	Possibilities for beam splice	
	Width (Outer dimension of base-plates) (m)	Eave height (m)	Ridge height (m)	Inner dimensions****		Ridge (m)			standard beam (m)	optional (m)
				Eave (m)	Ridge (m)					
10.5/340	10.740	3.260	4.910	3.140	4.750	5.360	300x120	5.0	-	
10.5/400	10.740	3.860	5.510	3.740	5.350	5.360	300x120	5.0	-	
10.5/540	10.740	5.260	6.910	5.140	6.750	5.360	300x120	5.0	-	
15.5/340	15.740	3.260	5.730	3.140	5.570	7.980	300x120	7.5	5.0/2.5	
15.5/400	15.740	3.860	6.330	3.740	6.170	7.980	300x120	7.5	5.0/2.5	
15.5/540	15.740	5.260	7.730	5.140	7.570	7.980	300x120	7.5	5.0/2.5	
20.5/340	20.740	3.260	6.540	3.140	6.380	10.610	300x120	10.0	7.5/2.5	
20.5/400	20.740	3.860	7.140	3.740	6.980	10.610	300x120	10.0	7.5/2.5	
20.5/540	20.740	5.260	8.540	5.140	8.380	10.610	300x120	10.0	7.5/2.5	
25.5/340	25.740	3.260	7.350	3.140	7.190	10.610	300x120	7.5/5.0	10.0/2.5	
25.5/400	25.740	3.860	7.950	3.740	7.790	10.610	300x120	7.5/5.0	10.0/2.5	
25.5/540*	25.740	5.260	9.350	5.140	9.190	10.610	300x120	7.5/5.0	10.0/2.5	
30.5/340	30.740	3.260	8.160	3.140	8.000	10.610	300x120	10.0/5.0	7.5/7.5	
30.5/400	30.740	3.860	8.760	3.740	8.600	10.610	300x120	10.0/5.0	7.5/7.5	
30.5/540*	30.740	5.260	10.180	5.140	10.020	10.610	300x120	10.0/5.0	7.5/7.5	
40.5/340*	40.740	3.260	9.780	3.140	9.620	10.610	300x120	10.0/10.0	10.0/5.0/5.0	
40.5/400*	40.740	3.860	10.380	3.740	10.220	10.610	300x120	10.0/10.0	10.0/5.0/5.0	
40.5/540**	40.740	5.260	11.780	5.140	11.620	11.640	300x120	10.0/10.0	10.0/5.0/5.0	
50.5/340*	50.740	3.260	11.410	3.140	11.250	11.280	300x120	10.0/10.0/5.0	10.0/7.5/7.5	
50.5/400**	50.740	3.860	12.010	3.740	11.850	11.680	300x120	10.0/10.0/5.0	10.0/7.5/7.5	

Truss-distance (B) for all tent types 5.000 m. Roof slope of 18 degrees for all saddleback constructions. Without Snow load (but possible on request). Wind load: 103 km/h.

- * possible for maxiflex P1 Arcum (curved roof)
- ** with ridge struts
- *** with ridge struts and corner braces
- **** Important note: the inner dimensions are based on theoretical, calculated values and can therefore vary depending on local circumstances e.g. ground conditions or inclement weather.

NOTE: Subject to alterations in the interest of product improvement in line with state-of-the-art technology progress.

Losberger GmbH
 Fürfeld · Gottlieb-Daimler-Ring 14
 74906 Bad Rappenau · Germany
 Phone: +49 7066 980-0
 Fax: +49 7066 980-232
 E-Mail: losberger@losbergerdeboer.com
 www.losbergerdeboer.com
 Losberger De Boer Group